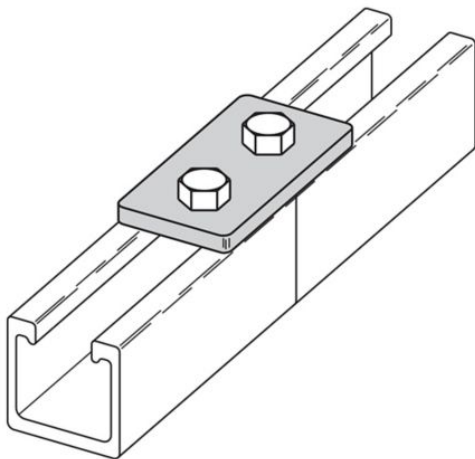


Eaton BFV129

Catalog Number: BFV129

Eaton B-Line series splice plate, 3.5" H x 1.62" L x 1.62" W, Steel

General specifications



Product Name	Catalog Number
Eaton B-Line series splice plate	BFV129
UPC	Product Length/Depth
781011012878	1.62 in
Product Height	Product Width
3.5 in	1.62 in
Product Weight	Certifications
0.085 lb	Not Applicable

Model

Type

Two hole splice plate

Material/finish

Material

Steel

Resources

Catalogs

[Fiberglass Materials Catalog Section](#)

Specifications and datasheets

[Eaton Specification Sheet - BFV129](#)

Technical service bulletins

[Corrosion Resistance Flyer for Fiberglass Channel](#)



Eaton Corporation plc
Eaton House
30 Pembroke Road
Dublin 4, Ireland
Eaton.com

© 2024 Eaton. All Rights Reserved.

Eaton is a registered trademark.

All other trademarks are property of their respective owners.



[Eaton.com/socialmedia](https://www.eaton.com/socialmedia)